

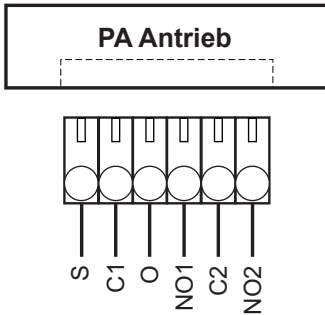
- S = blau
- C1 = grün
- O = braun
- NO1 = schwarz
- C2 = weiß
- NO2 = grau



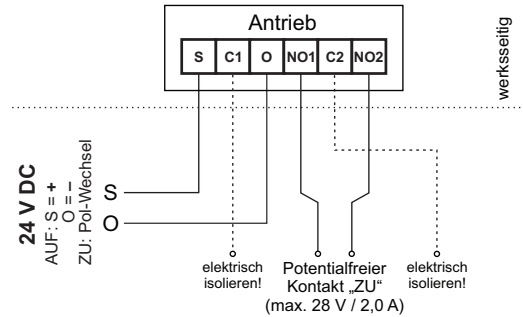
INFORMATION

Standard Anschlussbelegung ab Werk für PA-Antriebe!

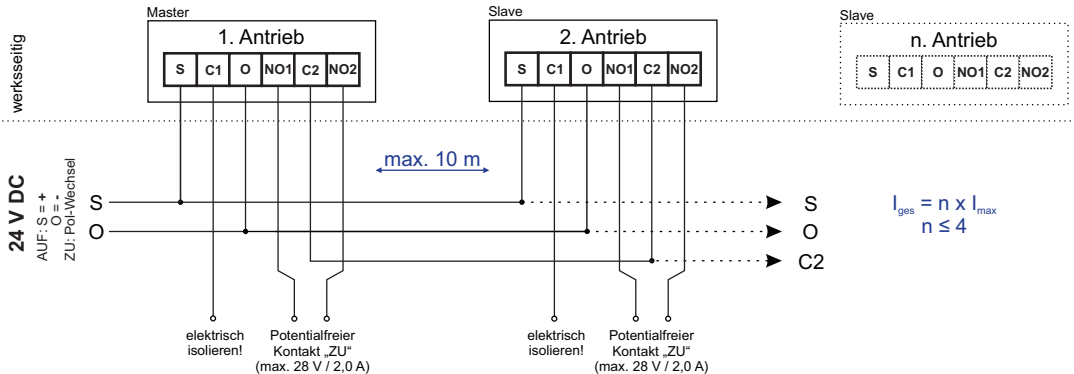
SICO PLUG Belegung

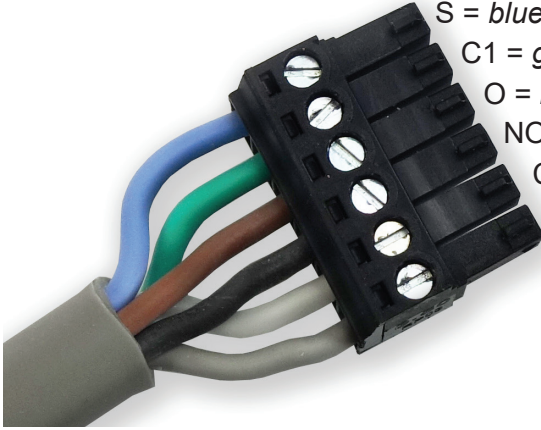


Solobetrieb



Synchronbetrieb





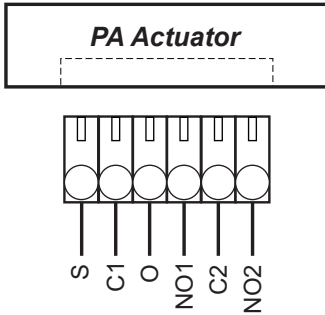
- S = blue
- C1 = green
- O = brown
- NO1 = black
- C2 = white
- NO2 = grey



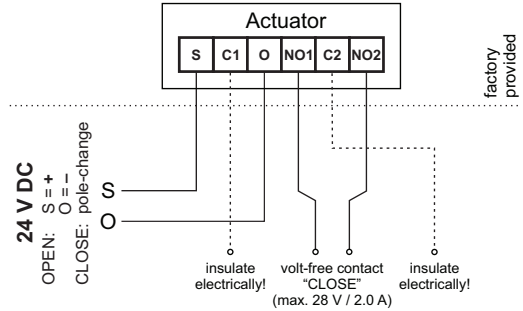
INFORMATION

Standard pin assignment ex factory for PA-actuators!

SICO PLUG assignment



Single operation



Synchronous operation

